

CHAPTER 7

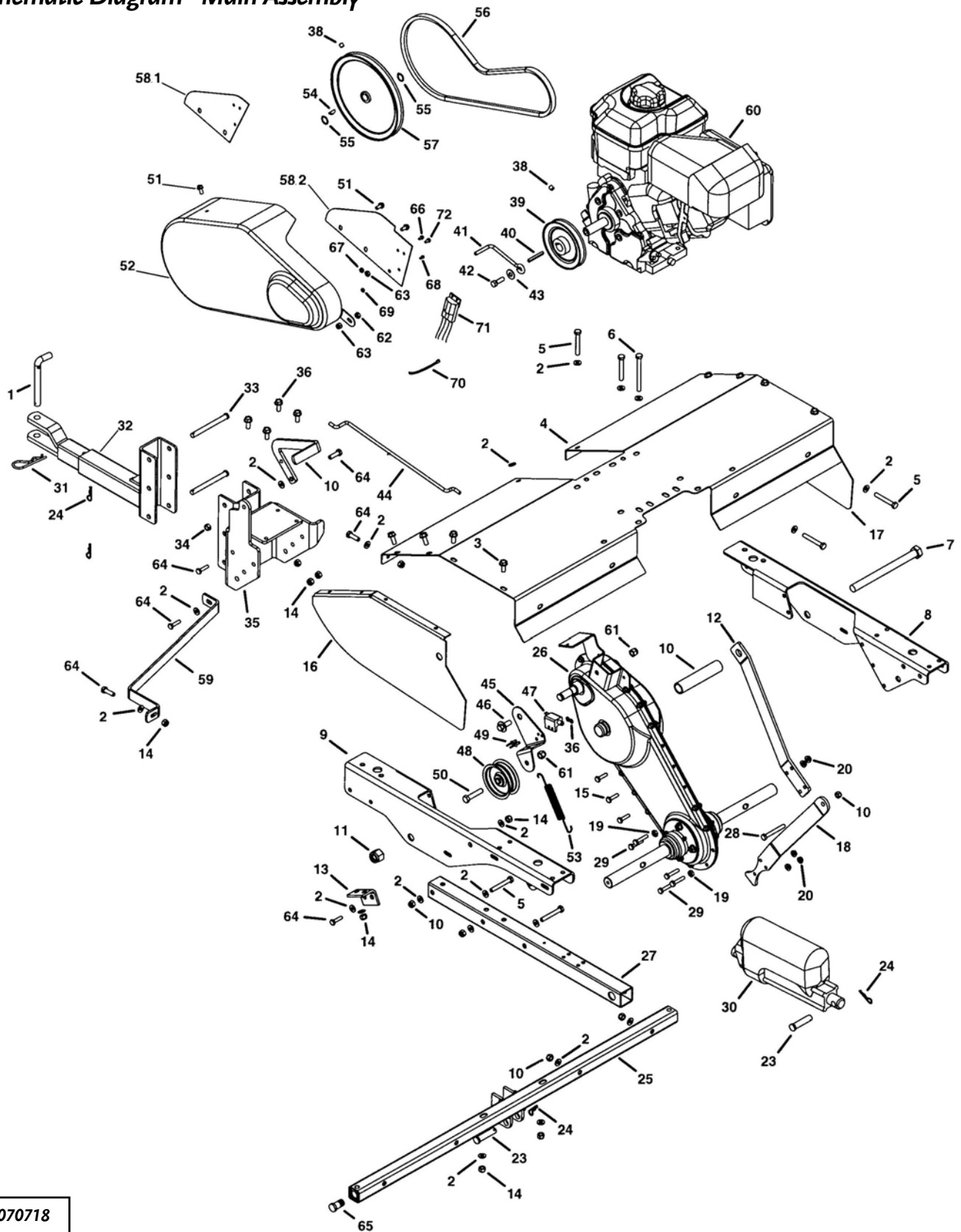
PARTS LISTS, SCHEMATIC DIAGRAMS AND WARRANTY

Parts List - Main Assembly

NOTE: Part numbers listed are available through DR Power Equipment.

<u>Ref#</u>	<u>Part#</u>	<u>Description</u>	<u>Ref#</u>	<u>Part#</u>	<u>Description</u>
01	232971	Pin, Channel Pivot 1/2"	38	233381	Screw, 5/16"-18 x 5/16"
02	232891	Washer, 1/4" Std .312" x .734"	39	233551	Pulley, 4.5" OD
03	233071	Bolt, Hex 5/16"-18 x 3/4" Self	40	233361	Key, 3/16" x 1-3/4"
04	231251	Fender	41	233111	Rod, Guide, V-Belt
05	232921	Bolt, Hex 5/16"-18 x 2-1/4", G5	42	233061	Bolt, Hex, 5/16"-24 x 1" w/Lock
06	232991	Bolt, Hex 5/16"-18 x 3-1/2", G5	43	232871	Washer, 5/16" Std .375 x .875
07	233091	Bolt, Hex 5/8"-11 x 7-1/2", G5	44	231231	Rod, Clutch
08	231221	Chassis, RH	45	231331	Bracket, Idler Arm
09	231211	Chassis, LH	46	233561	Bolt, Shoulder, 3/8"-16 x 7/8" W
10	231391	Spacer	47	233611	Switch, Interlock
11	233311	Nut, Hex, Nylock, 5/8"-11	48	233371	Pulley, Idler, 2-3/4"
12	231311	Brace, Front Case	49	233131	Rivet, Pop
13	231291	Angle, Reinforcement	50	232821	Bolt, Hex, 3/8"-16 x 1-3/4", G5
14	233081	Nut, Hex, Nylock, 5/16"-18	51	233121	Screw, Washer Head, 1/4"-20 x 1/2"
15	232941	Bolt, Hex, 1/4"-20 x 1", G5	52	224290	Belt Cover, Universal
16	231281	Cap, Fender End, LH	53	232720	Spring, Extension
17	231271	Cap, Fender End. RH	54	233581	Key, Woodruff, #61
18	231301	Brace, Rear Case	55	233481	Ring, Retaining
19	233301	Nut, Jam, Hex, 5/16"-24	56	217630	V-Belt, 45"
20	233041	Nut, Hex 1/4"-20 w/Lock Washer	57	233571	Pulley, 8" OD
21	233591	Pin, Hair, 1/8" x 1-5/8"	58.1	231241	Cover, Drive, (Electric Start)
22	233351	Pin, Clevis, 3/8" x 1-3/4"	58.2	231341	Cover, Drive, (Manual Start)
23	233621	Pin, Clevis, 1/2" x 2"	59	231351	Guard, Foot
24	233011	Pin, Hair, .08" x 1.58"	60	233261	Engine, B&S 8.75 (Manual Start)
25	233211	Assembly, Fender Tube		233271	Engine, B&S 8.75 (Electric Start)
26	233241	Transmission	61	233601	Nut, Hex, Nylock, 3/8"-16
27	231261	Tube, Frame	62	232911	Nut, Hex, 1/4"-20
28	232961	Bolt, Hex, 5/16"-18 x 2-1/2"	63	233031	Nut, Hex, Nylock, 1/4"-20
29	233281	Bolt, Hex, 1/4"-20 x 1-1/4", G5	64	232851	Bolt, Hex, 5/16"-18 x 1", G5
30	232561	Actuator	65	231461	Plug, Threaded Pipe
31	233321	Pin, Hair, 5/32" x 3"	66	232931	Bolt, Slotted, #10-32 x 5/8"
32	233181	Assembly, Tongue	67	233021	Nut, Nylock, #10-32
33	233001	Pin, Clevis, 3/8" x 4"	68	231481	Screw, Round, #8-32 x 5/8"
34	232861	Nut, Hex, 5/16"-18, Lock, 3-Way	69	232791	Nut, Nylon, #8-32
35	233201	Assembly, Hitch Bracket	70	231451	Tie, Nylon
36	232951	Washer, #10	71	233171	Module
37	232660	Clutch Lever	72	232841	Bolt, Hex, 1/4"-20 x 3/4", G5

Schematic Diagram - Main Assembly



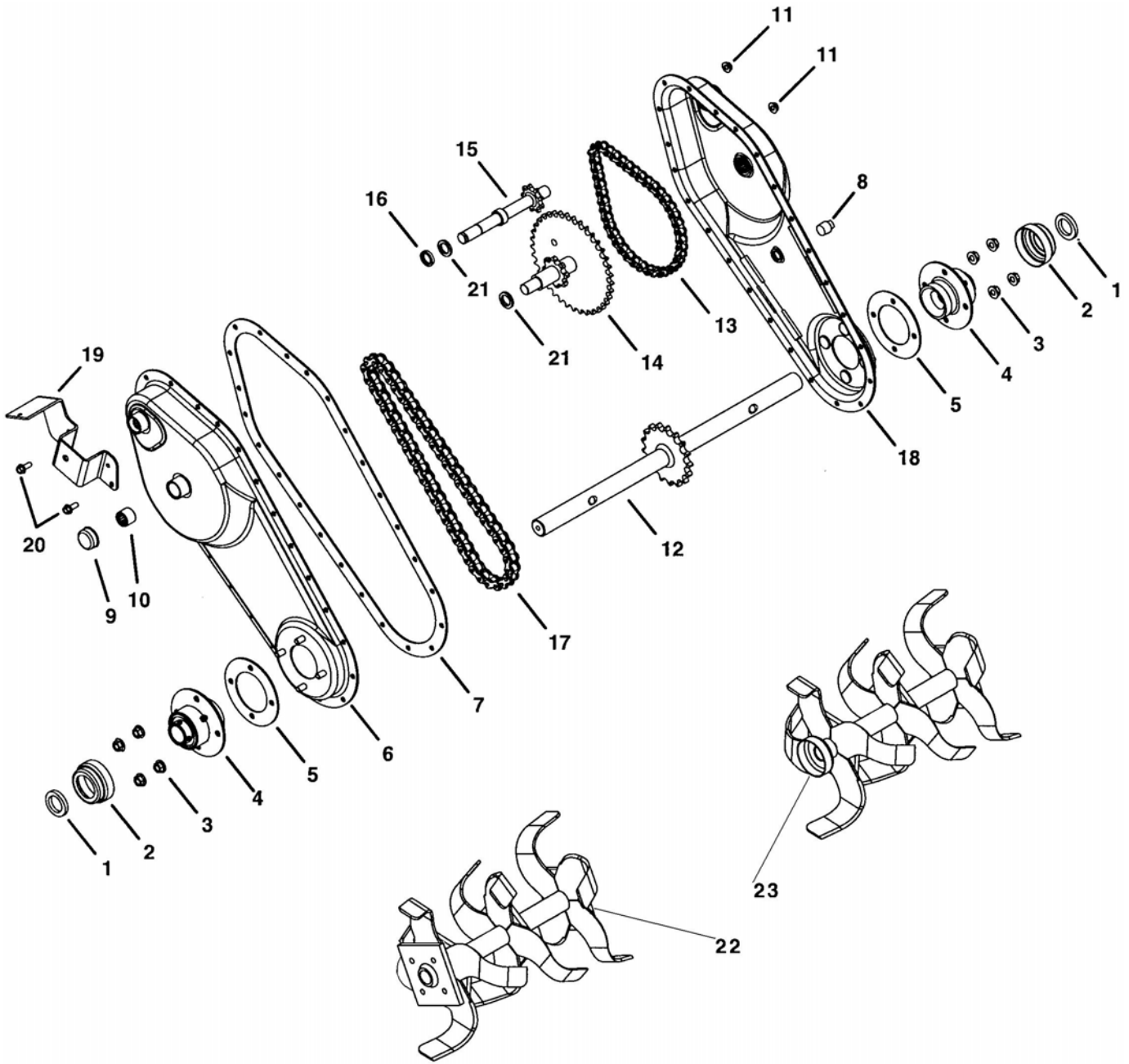
070718

Parts List -Tine Drive Transmission Assembly

NOTE: Part numbers listed are available through DR Power Equipment.

Ref#	Part#	Description
01	233401	Washer, Felt, .985" x 1.515"
02	231381	Cap
03	233161	Nut, Hex, 5/16"-18, Flanged Lock
04	233231	Assembly, Flange & Bearing
05	233391	Gasket, Flange
06	233531	Assembly, Drive Housing, Side, LH
07	233491	Gasket, Drive Housing
08	233431	Plug, Oil
09	233511	Cap, Bearing
10	233501	Bearing, Roller
11	233051	Nut, Hex, 1/4"-20 w/Lock Washer
12	233251	Assembly, Tine Shaft & Sprocket
13	233451	Chain, Roller (Short)
14	233441	Assembly, Idler Shaft
15	233461	Assembly, Input Shaft
16	233541	Seal
17	233411	Chain, Roller (Long)
18	233521	Assembly, Drive Housing, Side, RH
19	233471	Bracket, Belt Guard & Idler
20	231421	Bolt, Hex, 1/4"-20 x 5/8" w/Washer
21	233421	Washer, Thrus,t .64" x .9375"
22	231371	Tine Assy, RH
23	26148	Tine Assy, LH

Schematic Diagram - Tine Drive Transmission Assembly



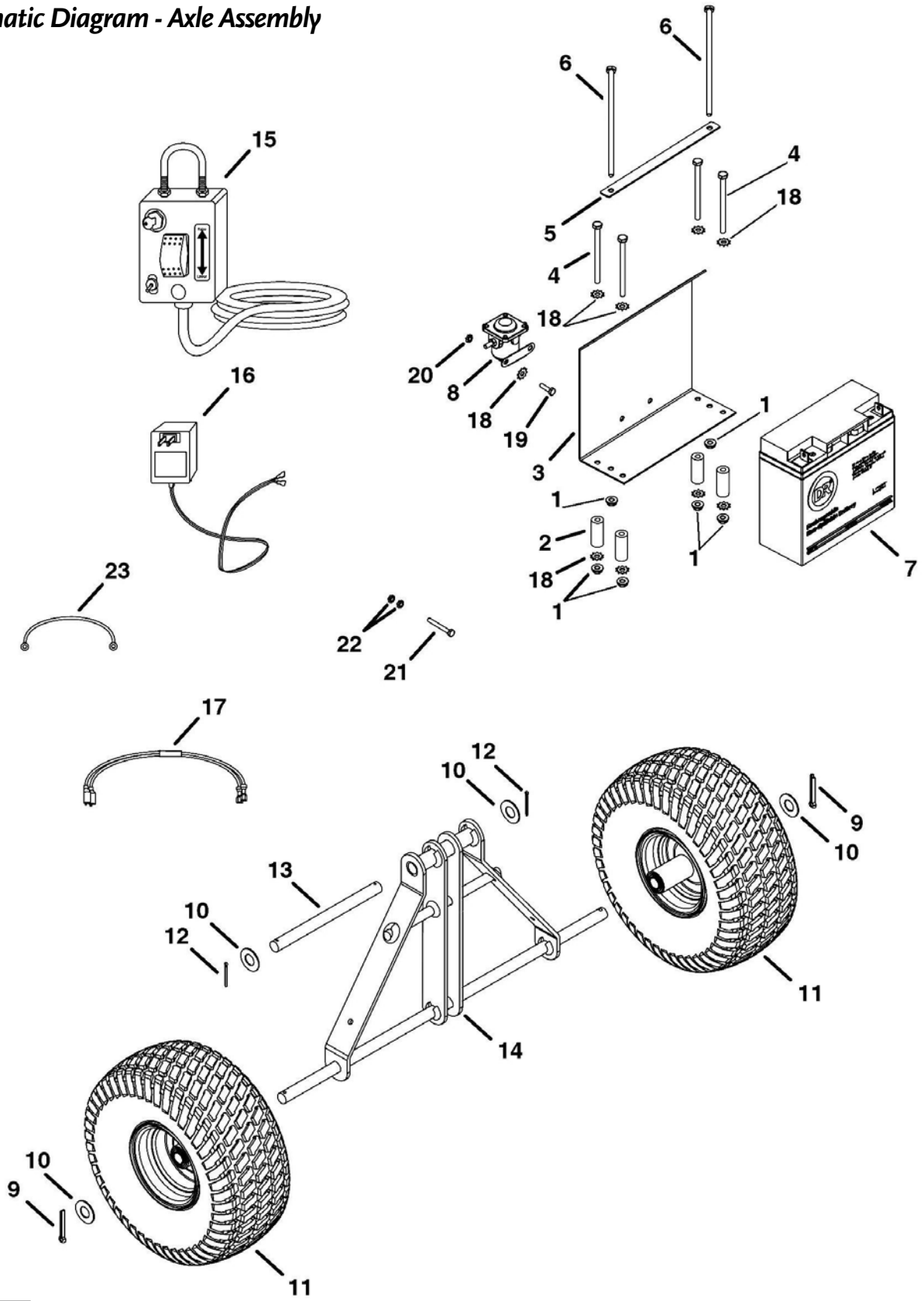
070718

Parts List - Axle Assembly

NOTE: Part numbers listed are available through DR Power Equipment.

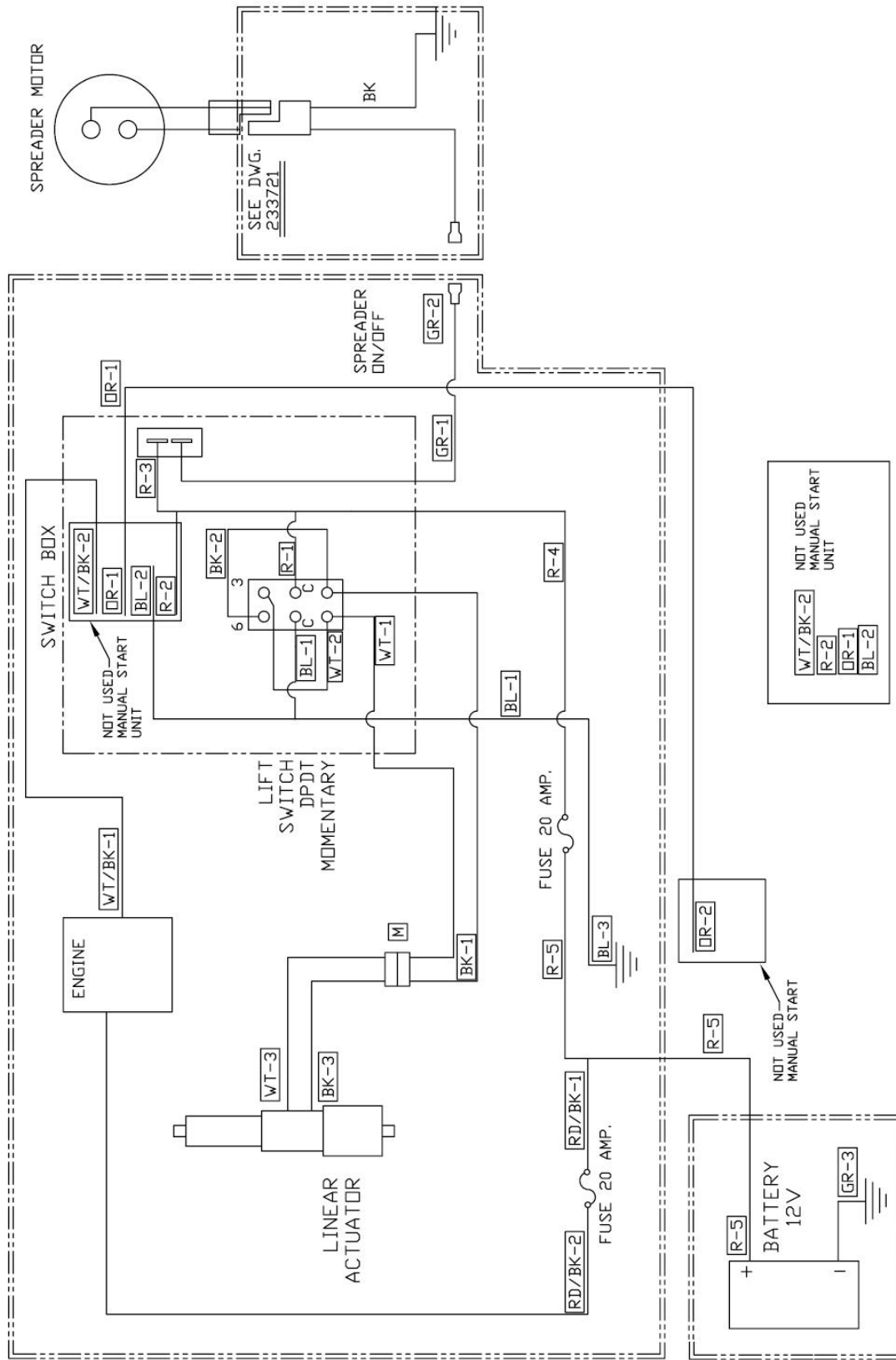
<u>Ref#</u>	<u>Part#</u>	<u>Description</u>
01	233041	Nut, Hex 1/4"-20 w/Lock Washer
02	231431	Spacer, 0.266" x 0.625" x 1.5"
03	231401	Bracket, Battery Mounting
04	231441	Bolt, Hex, 1/4"-20 x 3-1/2" GR 5
05	231411	Strap, Battery Hold Down
06	233141	Bolt, Flange Hex, 1/4"-20 X 3-1/2"
07	104831	Battery, 17AH, 12V
08	101551	Solenoid (Electric Start)
09	232981	Pin, 3/16" x 2"
10	232831	Washer, Flat
11	233291	Wheel, 15" x 6-3/4"
12	232901	Pin, 1/8" X 1-1/2"
13	231321	Axle, Pivot
14	233191	Assembly, Wheel Mount
15	233831	Cord Assembly (Manual Start)
	233841	Cord Assembly (Electric Start)
16	125411	Charger, Battery
17	113041	Clips, Alligator
18	231471	Washer, Star
19	232841	Bolt, Hex, 1/4"-20 x 3/4" G5
20	233031	Nut, Hex, Nylock, 1/4"-20
21	232801	Bolt, Nylon (Manual Start)
22	232811	Nut, Nylon (Manual Start)
23	233101	Wire, Engine Ground

Schematic Diagram - Axle Assembly



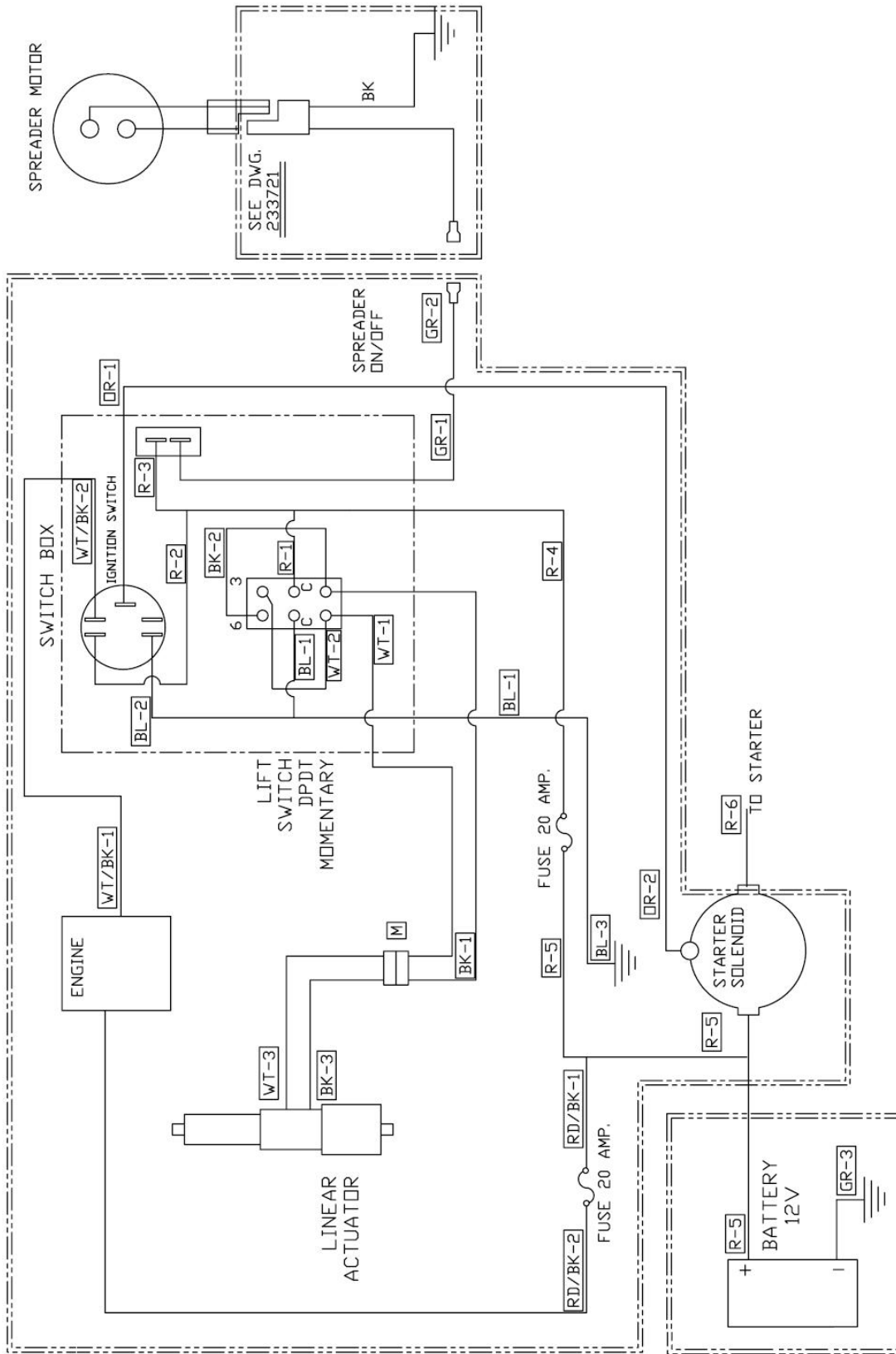
070718

Wiring Diagram - Manual Start model



070725

Wiring Diagram - Electric-Start model



070725